

Certified IZ2 & IZ3 Fastening Details

Ultimate Inswing, Outswing and Sliding French Doors

Note to the Installer

The purpose of these details is to illustrate required fastening methods to achieve certified product performance. Refer to standard installation instructions to seal from air and water.

These certified installation details are for door unit with a maximum OSM of 73" x 96" (1854-2438). Installation method uses jamb screws through shims or structural brackets per enclosed door installation instructions.

Door units were tested in a wall section constructed out of 2 x 10 dimension lumber, a 2 x 6 sill plate and 1/2" (13) sheathing as the building structure. A 2 x 4 buck was attached to the structure allowing a 1/2" (13) rough opening space.

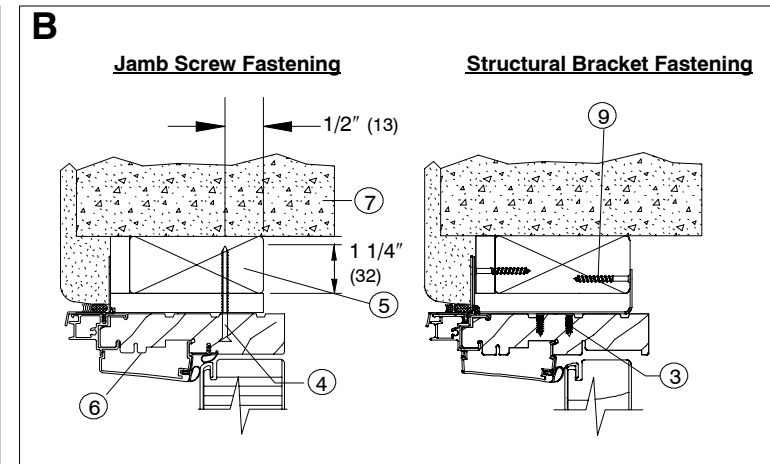
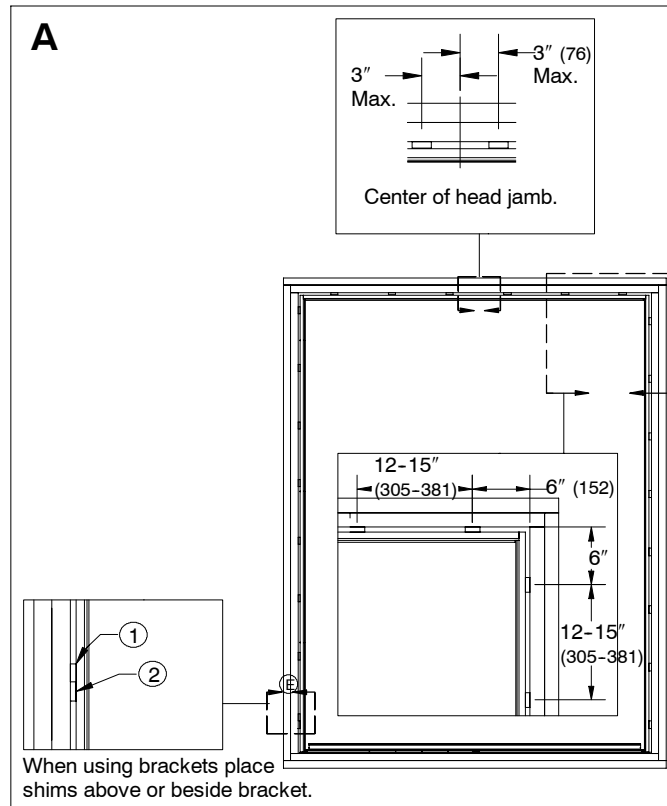
NOTE: Installation details apply to both masonry and wood construction. Masonry installation details shown for illustrative purposes.

Fastening Details:

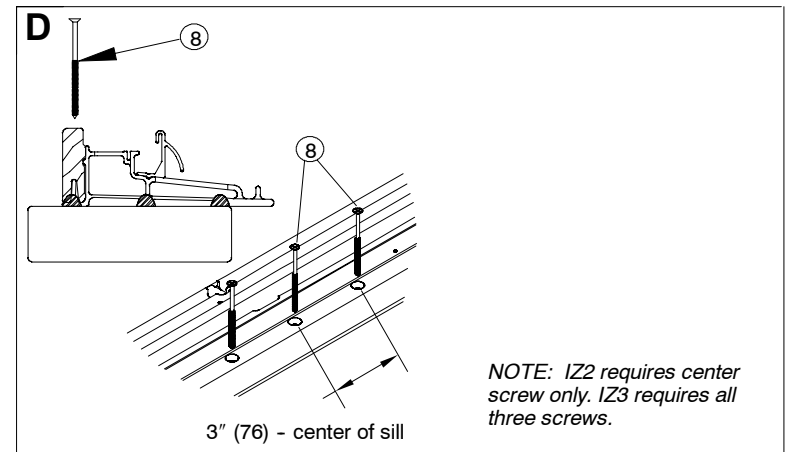
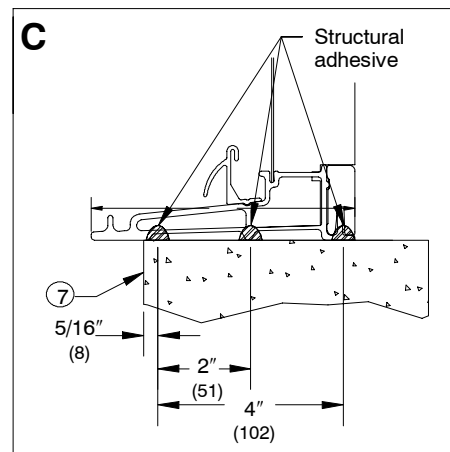
- Typical fastener spacing shall be no more than 6" (152) from corners and 12" (305) (if using jamb screws) on center thereafter. If using structural brackets, spacing should be 15" (381) from center thereafter.
- Penetration of fasteners into the framing must not be less than 1 1/4" (32).
- Place three 5/16" (8) beads of APA-AFG-01 spec adhesive on plate. Adhesive beads must be large enough to contact sill.
- Mechanically fasten swinging/sliding door units to substrate at center of sill.

NOTE: If installing sill directly to concrete, 3/16" x 3 1/2" concrete screws may be substituted for fasteners through the sill. Install per concrete screw manufacturer's installation instructions.

NOTE: Numbers listed in parentheses () are metric equivalents in millimeters rounded to the nearest whole number.



Item No.	Description
①	Shim (by others)
②	Structural Bracket
③	#8 x 5/8" Screw
④	#8 x 3" Galv. Deck Screw (by others)
⑤	1 1/2" x 3 1/2" Min. Wood Frame
⑥	Unit
⑦	Building Structure, Masonry, Wood or Other
⑧	#10 x 3" Screw (IZ3)
⑨	#8 x 1 1/2" Screws (2 per bracket)



NOTE: IZ2 requires center screw only. IZ3 requires all three screws.

Certified IZ3 Fastening Details

2 1/4" Panel Inswing and Outswing French Doors

Note to the Installer

The purpose of these details is to illustrate required fastening methods to achieve certified product performance. Refer to standard installation instructions to seal from air and water.

These certified installation details are for door unit with a maximum OSM of 73" x 120" (1854-3048). Installation method uses jamb screws through shims or structural brackets per enclosed door installation instructions.

Door units were tested in a wall section constructed out of 2 x 10 dimension lumber, a 2 x 6 sill plate and 1/2" (13) sheeting as the building structure. A 2 x 4 buck was attached to the structure allowing a 1/2" (13) rough opening space.

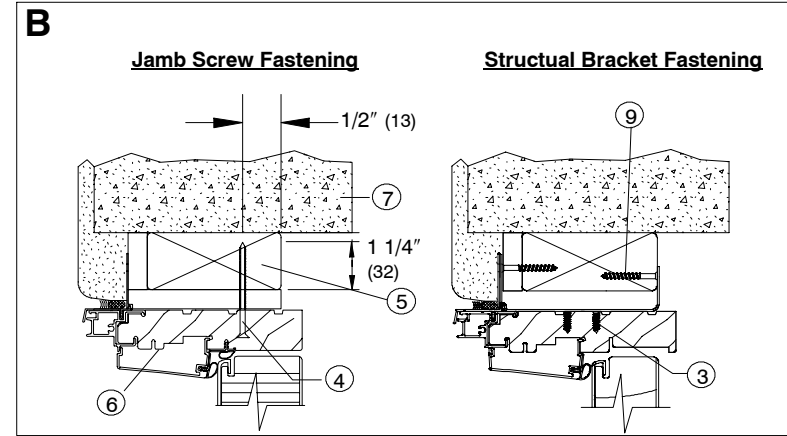
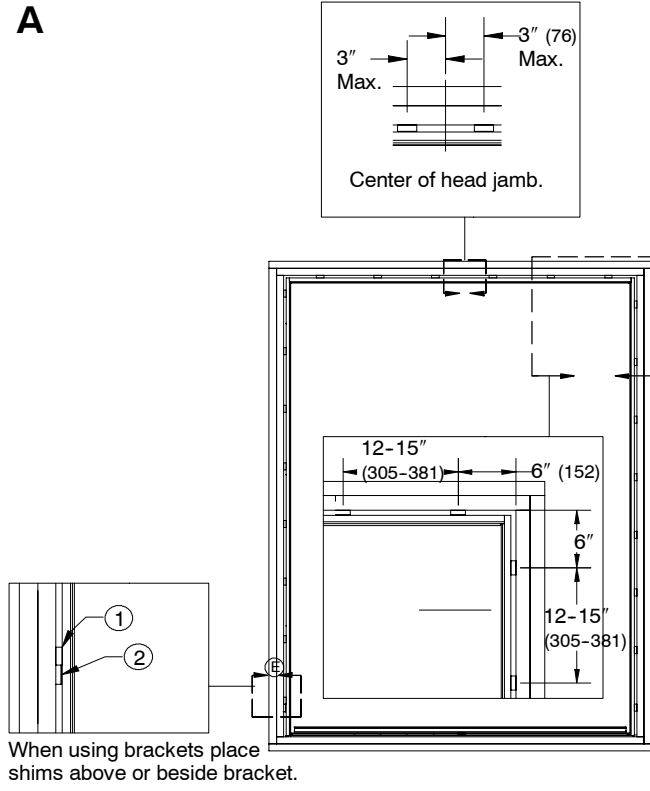
NOTE: Installation details apply to both masonry and wood construction. Masonry installation details shown for illustrative purposes.

Fastening Details:

- Typical fastener spacing shall be no more than 6" (152) from corners and 12" (305) (if using jamb screws) on center thereafter. If using structural brackets, spacing should be 15" (381) from center thereafter.
- Penetration of fasteners into the framing must not be less than 1 1/4" (32).
- Place three 5/16" (8) beads of APA-AFG-01 spec adhesive on plate. Adhesive beads must be large enough to contact sill. Inswing door must include interior sill support.
- Mechanically fasten swinging/sliding door units to substrate at center of sill.

NOTE: If installing sill directly to concrete, 3/16" x 3 1/2" concrete screws may be substituted for fasteners through the sill. Install per concrete screw manufacturer's installation instructions.

NOTE: Numbers listed in parentheses () are metric equivalents in millimeters rounded to the nearest whole number.



Item No.	Description
①	Shim (by others)
②	Structural Bracket
③	#8 x 5/8" Screw
④	#8 x 3" Galv. Deck Screw (by others)
⑤	1 1/2" x 3 1/2" Min. Wood Frame
⑥	Unit
⑦	Building Structure, Masonry, Wood or Other
⑧	#10 x 3" Screw (IZ3)
⑨	#8 x 1 1/2" Screws (2 per bracket)

