

Low Profile Sliding Door Sill

Rough Opening Supplemental Preparation Procedures

ATTENTION: The following procedures are required for the proper water management of the low profile sliding door sill. If local codes allow or for customer preference the exterior concrete slab or deck can be placed 2 1/2 - 3" lower than the unit opening.

Cement Slab with Concrete Patio on Grade

1. Prepare a 1 1/2" (38) wide by 3" (76) deep channel into the exterior concrete patio slab across the width of the door. See illustration 1.

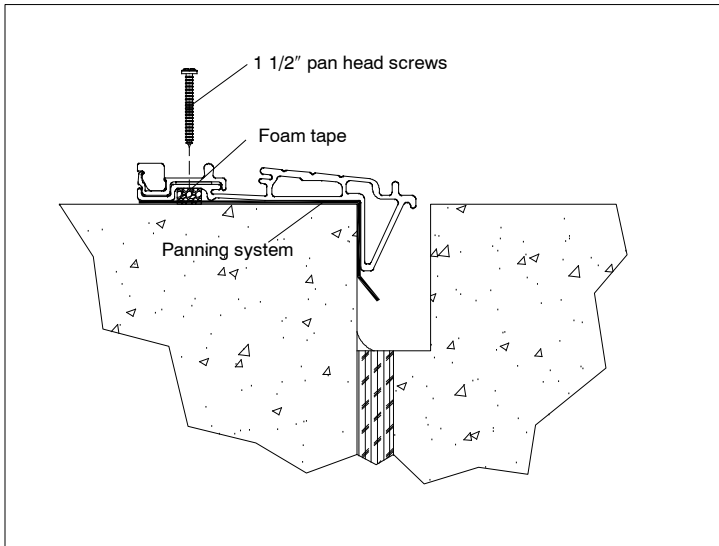


Illustration 1

2. Integrate the channel into the slab drainage system or create a drainage system for the channel. Water must be able to freely exit the channel.
3. Install a panning system across the length of the slab. See Illustration 1.
4. Apply 1/2" x 3/8" foam tape into bottom of sill channel as shown. Follow the enclosed installation instructions for installing the sliding door.
5. Once installed, secure the low profile sill by fastening with 1 1/2" pan head screws. Center the screws in the slot.

Note: In order to meet advertised DP ratings, screws are required to anchor the sill with a panning system. If a panning system is not used, the sill must be anchored with either screws, structural adhesive or both.

IMPORTANT: Do not seal drain holes. Make sure drain holes are kept clear of dirt and debris.

Wood Frame Construction with Wood Deck

1. Prepare a 1 1/2" (38) wide by 3" (76) deep channel between the R.O. and face of the deck. See illustration 2.

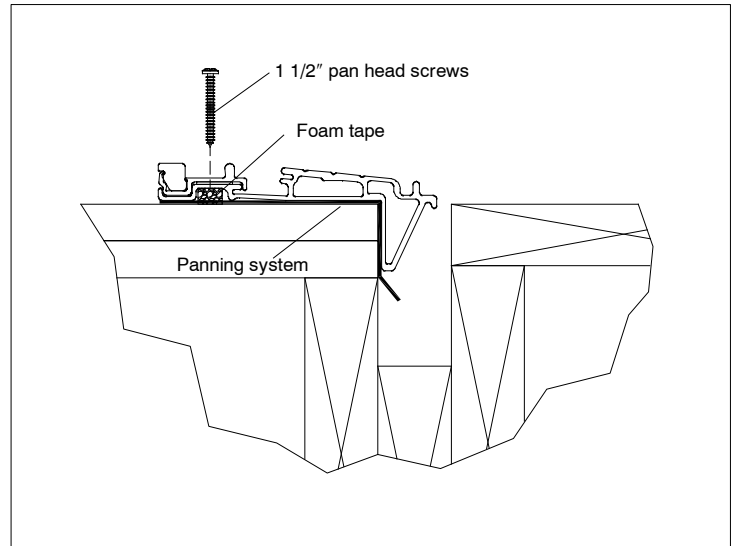


Illustration 2

2. Water that enters the channel will need to be drained to the exterior of the structure. Water must be able to freely exit the channel.
3. Install a panning system across the length of the wood deck. See Illustration 2.
4. Apply 1/2" x 3/8" foam tape into bottom of sill channel as shown. Follow the enclosed installation instructions for installing the sliding door.
5. Once installed, secure the low profile sill by fastening with 1 1/2" pan head screws. Center the screws in the slot.

Note: In order to meet advertised DP ratings, screws are required to anchor the sill with a panning system. If a panning system is not used, the sill must be anchored with either screws, structural adhesive or both.

IMPORTANT: Do not seal drain holes. Make sure drain holes are kept clear of dirt and debris.