

Sliding Patio Door Supplement

The following supplemental instruction applies to:
Clad and Wood Sliding Patio Doors only

Standard Parts Shipped:

Each Marvin Sliding Patio Door is sent with a handle set, roller adjustment/bumper block hole plugs, #8 x 3" pan head screws. Clad units will receive a nailing fin corner gasket package. OXXO doors will receive bumper blocks, rubber bumpers and #7 x 5/8" self tapping screw package.

If any of these parts are missing, contact your local Marvin dealer for replacement parts information.

Permanently Securing the Door

After your Marvin Sliding Patio Door is installed into the rough opening, perform the following steps to permanently secure the door.

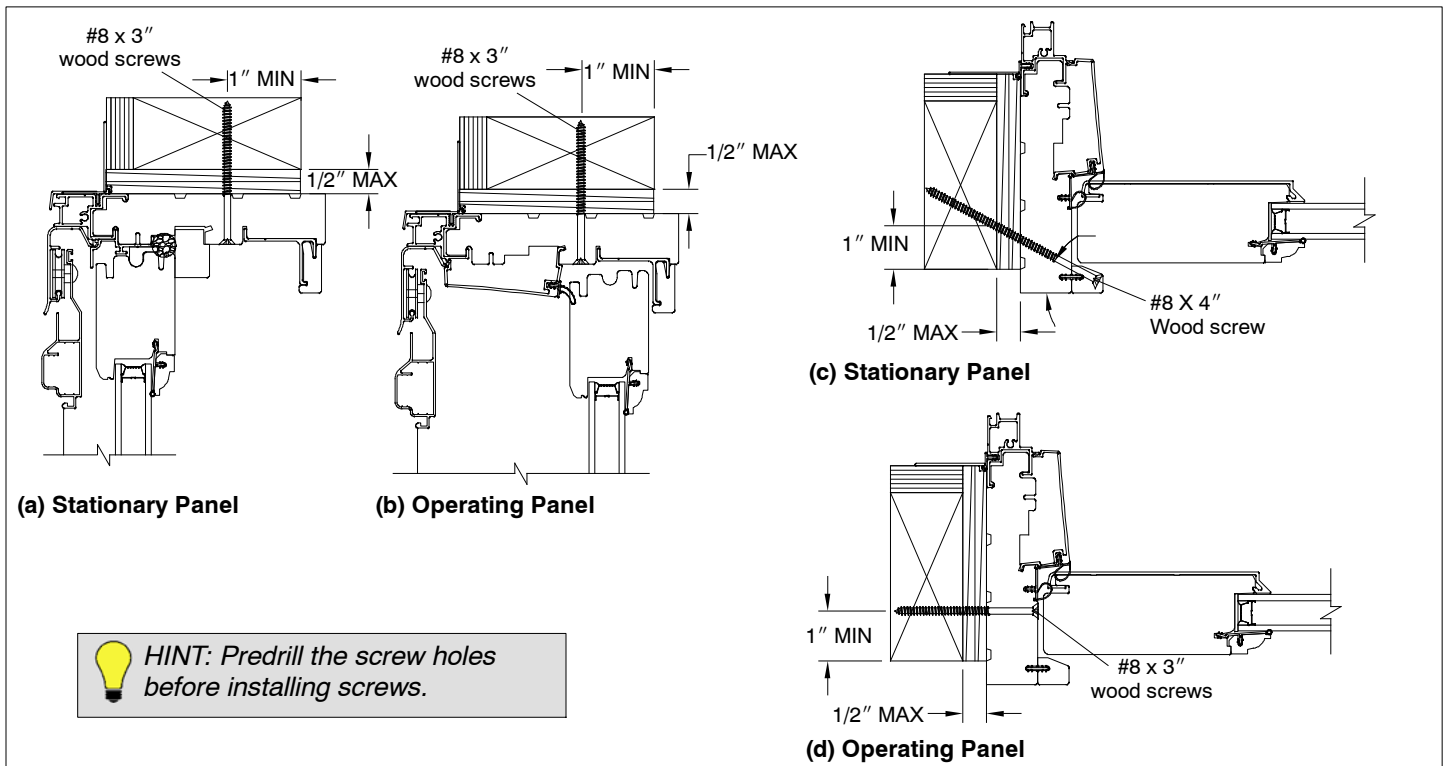


Figure 1: Securing the door.

- 1. For units utilizing jamb screw installation (wood and clad):** Once the unit has been properly shimmed, plumbed, and squared fasten unit to wood buck/rough opening with minimum diameter of a #8 wood screw. Length of jamb screws may vary depending on type of unit, location and operation of the panel with a minimum buck penetration of 1 1/4" (32). A minimum jamb screw length of 3" (76) is required. Screws must be a minimum of 1" (25) from edge of buck. Place the screw 6" (152) from each corner, maximum 12" (305) on center, with a minimum of 2 per side. See figures 1a - 1d.
- 2. For units utilizing masonry clip and structural bracket installation (wood and clad):** Refer to the installation instructions included with the clips/brackets.

Proceed to general door instruction for steps on how to secure the sill and final flashing and sealing procedures.

Adjusting the Door Panel

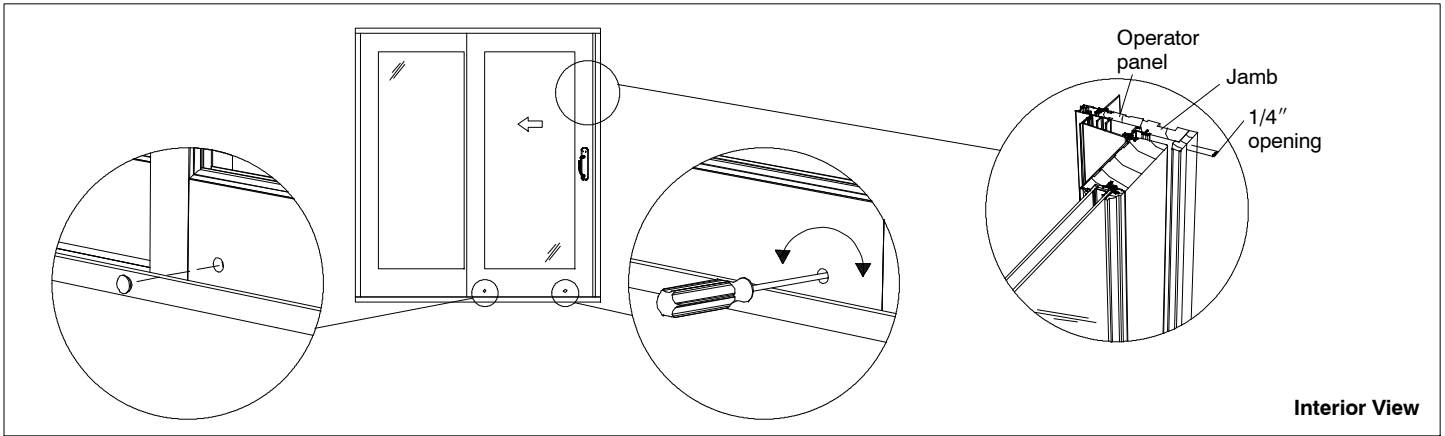


Figure 2: Adjusting the panel.

1. Adjust panel roller assemblies by rotating adjustment screws until operator panel is in the lowest position. Then adjust roller assemblies up until door slides easily. See figure 2.
2. Open door 1/4" (6) from the jamb and adjust one roller until operating panel is parallel to the jamb. Insert wood adjustment hole plugs in bottom rail of panel after all roller adjustments are complete. See figure 2.

Installing Jamb Strike Screws



IMPORTANT: DO NOT replace jamb strike screw on OXO or OXXO door.

1. Ensure that shims have been properly placed behind the jamb strike between the door jamb and stud wall. See figure 3.
2. Replace the 4 short shipping screws in the jamb strike with the supplied #8 x 3" pan head screws. See figure 3. Adjust jamb strike, if necessary, up or down to ensure smooth engagement of the jamb lock into the jamb strike.

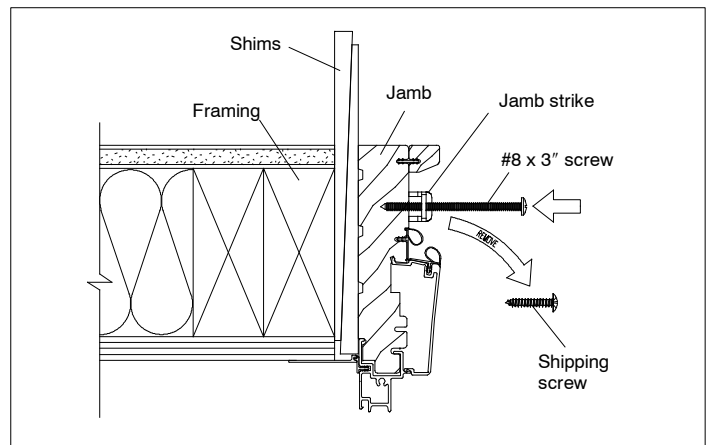


Figure 3: Installing screws.

Adjusting Multi Point Hooks

1. Adjust the hooks in or out as needed to engage the lock easily and minimize the amount the operator door will move in the locked position. 1/4 turn clockwise will extend the hooks, counterclockwise will bring the hooks in. See figure 4.

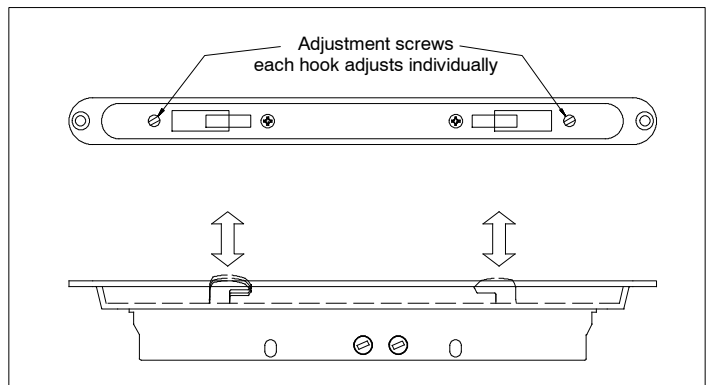


Figure 4: Adjusting hooks.

SLIDING DOORS INSTALLING OPERATING PANELS



CAUTION: Large door units may be very heavy and awkward to handle. It is important to obtain adequate assistance to avoid injury when handling the unit.

NOTE: Be sure rollers are to the lowest setting

1. Remove top bumper.
2. Remove #8x1" screws holding operator panel guide. See figure 5.

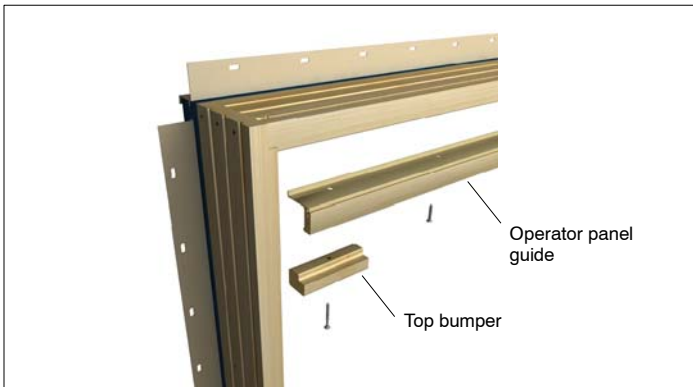


Figure 5

3. **For 2-panel and 3-panel doors with standard sill:** Working from the interior, set active panel onto sill track and tilt toward frame. Make sure rollers are on the track. See figure 6.



Figure 6

4. **For 4-panel doors with standard sill:** Working from the interior, set inactive panel onto sill and tilt toward frame. Make sure rollers are on the track. Close panel and temporarily engage the flush bolt. Set active panel into place, making sure rollers are on the track.

5. **For all doors with low profile sill:** Set the inactive panel (if applicable) down in front of the stationary panel, overlapping the stationary panel as much as possible. Place the back of the panel down on the rollers and roller track. Maneuver the front end of the panel sweep between the two weather strip pieces in the sill while setting the front of the panel down on the roller track. Close panel and temporarily engage the flush bolt. Follow this step for the active panel as well. There should be no wrinkles or folds in the sill weather strip. See figure 7.



Figure 7: Units with low profile sill.



CAUTION: Do not bounce panel sweep on weather strip. Sweep has an edge that could potentially tear weather strip if care is not taken.

6. **For 4-panel doors:** While supporting both panels, disengage the flush bolt on the inactive panel, and set panel guide into place. If the panel guide is difficult to insert, the panel rollers may need to be lowered.
7. Install one #8x1" screw through the predrilled holes in the panel guide and into head jamb on each side of the operating panel(s). Open the active and inactive panels (where applicable) and install two #8x1" screws through the predrilled holes in the panel guide and into head jamb. (Package "A" if installing a KD door).
8. Install top bumpers with #8x1 1/2" pan head screws. (Package "F" if installing a KD door). See figure 5.