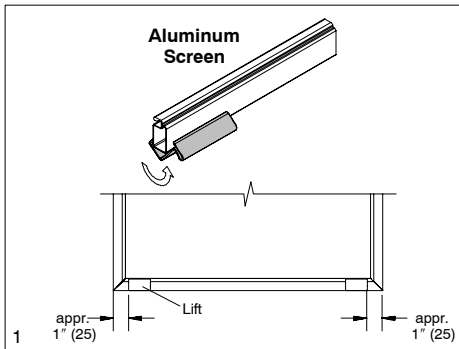


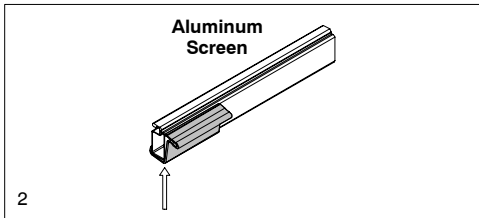
Marvin Casemaster Aluminum Screen Lift Instructions



1. Place the lift over the exterior edge of the screen and rotate to the interior as shown in illustration 1. Position the lift approximately 1" away from edge of screen.



2. Push on the bottom front edge of the lift as shown in illustration 2.



3. Push up on the lift until the top snaps over the face of the screen. See illustration 3.

